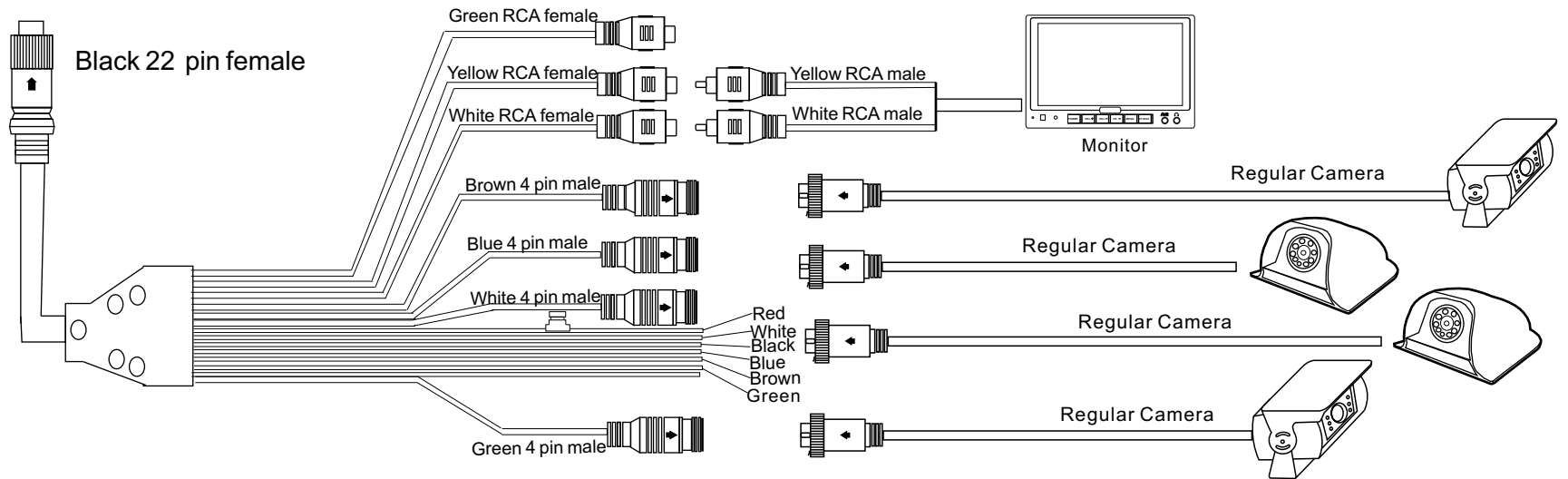




MO-127M

Black 22 pin male

Black 4 pin male to regular cameras  
 Single red wire to positive power supply of DC / 12-32V.  
 Single black wire to GND.  
 Single brown wire to positive power wire of back-up light.  
 Single white wire to positive power wire of left-turn light .  
 Single blue wire to positive power wire of right-turn light .  
 Single green wire for any other trigger control.  
 Green/yellow RCA female for video outputs .  
 White RCA female for audio output.



DESCRIPTION	<p style="text-align: center;"><b>NOTICE</b></p> <p style="text-align: center;">THIS DESIGN AND TECHNICAL INFORMATION APPEARING OF THIS DRAWING IS THE PROPERTY OF SHARPVISION CO., LTD. IT IS NOT TO BE COPIED, REPRODUCED REVEALED TO OR APPROPRIATED BY OTHERS, EITHER IN WHOLE OR INPART</p>	DATE	SHARPVISION CO., LTD		
		2008. 7. 18	DWG NO.	DWG NAME	APPROVED
		SHEET	SV-MO127M	MO-127M, 22PIN CONNECTION DIAGRAM	JIANGLIU ZHOU
		1 OF 1			